



Assembly and Operating Instructions

Pew Heat Radiator KBS



GB

KBS 6/25

KBS 8/35

KBS 10/45

KBS 12/55

KBS 14/65

Please read attentively and keep in a safe place! Subject to alterations!

Issue 07/16

Id_no. 911 360 541

Assembly Instruction for the KBS Pew Heat-Radiator

1. General information about our heaters

This heater can be used by children aged from 8 years and above and by physically, sensory or mentally restricted persons if they are supervised or given instructions on safe use and understand the hazards involved as it does not require any experience or knowledge.

GB

This is not a toy for children to play with. Cleaning and user maintenance shall not be carried out by children without supervision.

The use of heat radiators is to be given a particular duty of care by supervisors.

Children under the age of 3 are to be kept away unless they are continually supervised. Children between the age of 3 and 8 are only allowed to switch the heater on or off if they are supervised or given instructions on safe use and understand the hazards involved, provided that it has been placed or installed in its intended normal operating position. Children between the age of 3 and 8 shall not plug in, regulate and clean the heater or perform user maintenance.

Caution: Some parts of the product can become very hot and cause burns. Pay particular attention when children and vulnerable people are present.

Type	Dimensions W x L x H [mm]	Connected load [W]
KBS 6/25	600 x 100 x 90	250
KBS 8/35	800 x 100 x 90	350
KBS 10/45	1000 x 100 x 90	450
KBS 12/55	1200 x 100 x 90	550
KBS 14/65	1400 x 100 x 90	650

Assembly Instruction for the KBS Pew Heat-Radiator

Technical data:

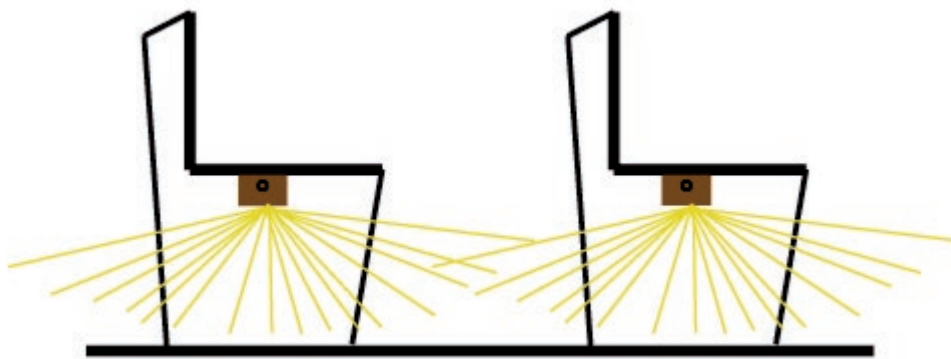
Nominal voltage: 230V
Protection class: I = protective earth terminal
Installation: stationary
Protective system: without special protection against water
Area of application: In churches, acc. to DIN 4701, max. room temperature is 15°C

GB

Test mark:



Surface: powder-coated, similar to RAL 1090

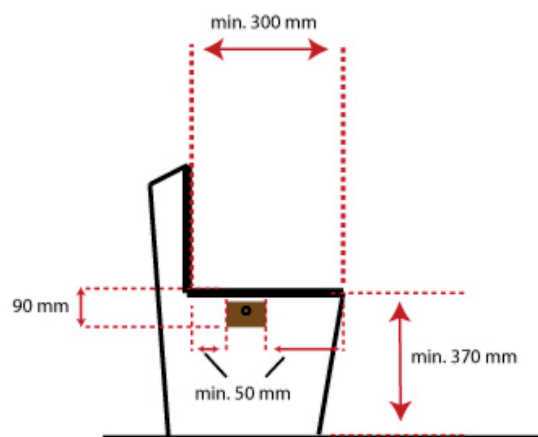


Distances:

Minimum distance to combustible material

- 80 mm from the front grid
- 50 mm on the front side between two heaters and distance to back rest
- 50 mm between the front edge of the bench and the heater
- 50 mm between the rear edge of the bench and the heater

The safety distances must be kept!



Assembly Instruction for the KBS Pew Heat-Radiator

Warning!

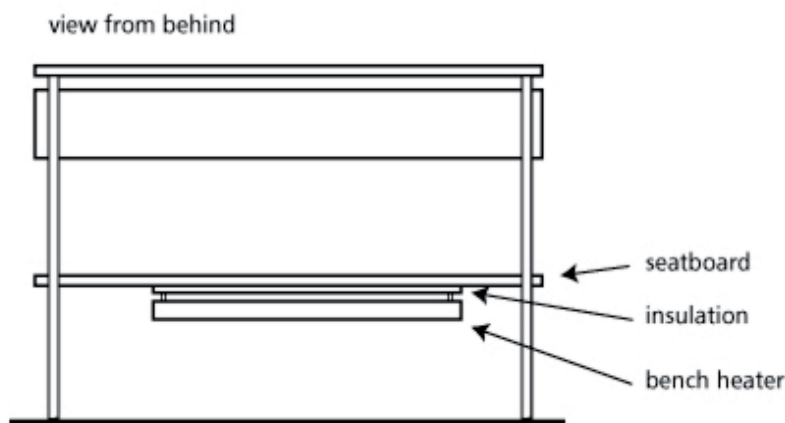
GB

- To avoid overheating of the device, do not cover it.
- Do not install the heater directly below a wall outlet.
- The bench heaters may only be taken into operation by authorised electricians.

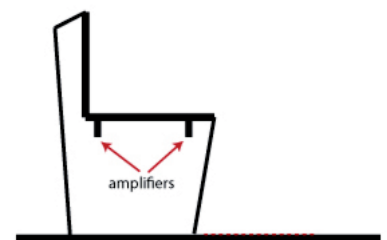
Installation

The bench heater can be mounted directly onto wood in most cases. Mount the heater in the middle of the bottom of the bench. Do **NOT** mount the heaters next to each other (two heaters parallel to each other under one bench).

If there is a danger of damage on painted benches or crack formation in damp wood, mount a non-flammable insulation board (UPK) between the heater and the bench. If the bench measures less than 30 mm in thickness, an insulation board has to be mounted in any case.



Do not mount amplifiers on the bottom of the bench to avoid heat build-up. Do not mount the heater directly to the bottom of the bench. Should there be amplifiers, mount the heater with the mirror at the same height as the amplifiers. If needed, we will supply spacers.



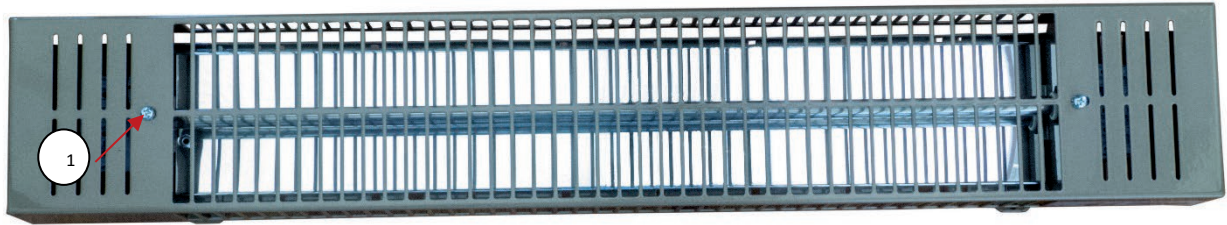
Do not mount the heaters to benches with a closed back.

Assembly Instruction for the KBS Pew Heat-Radiator

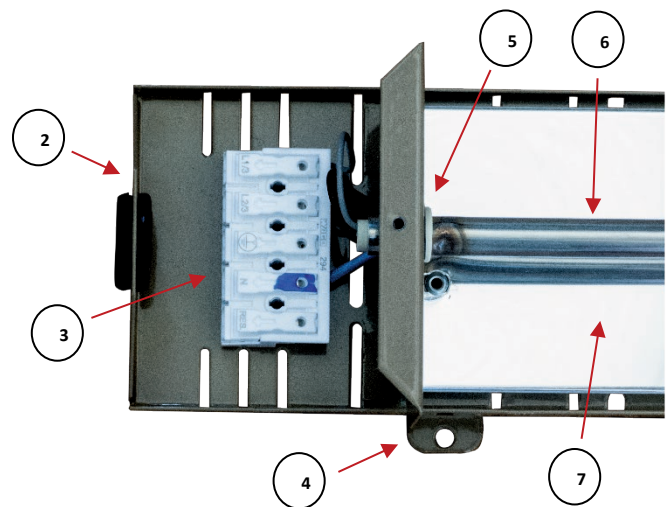
Electrical installation

Only authorised electricians may install and mount the bench heaters.

GB



- 1) Fastening / cover
- 2) Cable grommet
- 3) Clamp
- 4) Fastening
- 5) Steatite piece
- 6) Quartz heating element
- 7) Aluminium reflector/ mirror



Remove the cover grid and mount the heater under the sitting surface (in the middle of the bench). Mount the supply line on the bottom of the bench and lead it in on the front side of the heater. The heaters are wired-through at 1.5 mm.

Should several heaters be mounted on one bench, one heater can be plugged into the one opposite and fed into the next one. Heaters up to a total load of 3000 Watts can be connected in series. The TECHNOTHERM church bench heater boasts a chromium-nickel steel heating element.

The advantage: non-brittle and non-corrosive! After the electrical instalment, remount the cover grid from below with the lock washer and the screw. The heaters have to be completely (all poles) disconnectable from the mains power supply by using switches, contactors or automatic disconnecting devices at a minimum distance of 3 mm between contacts. Make sure the phase load is even. Use an electronic thermostat with variable continuous contact for controlling. Install a heating time limit (set to 6 h) and a timer to automatically start the heater.

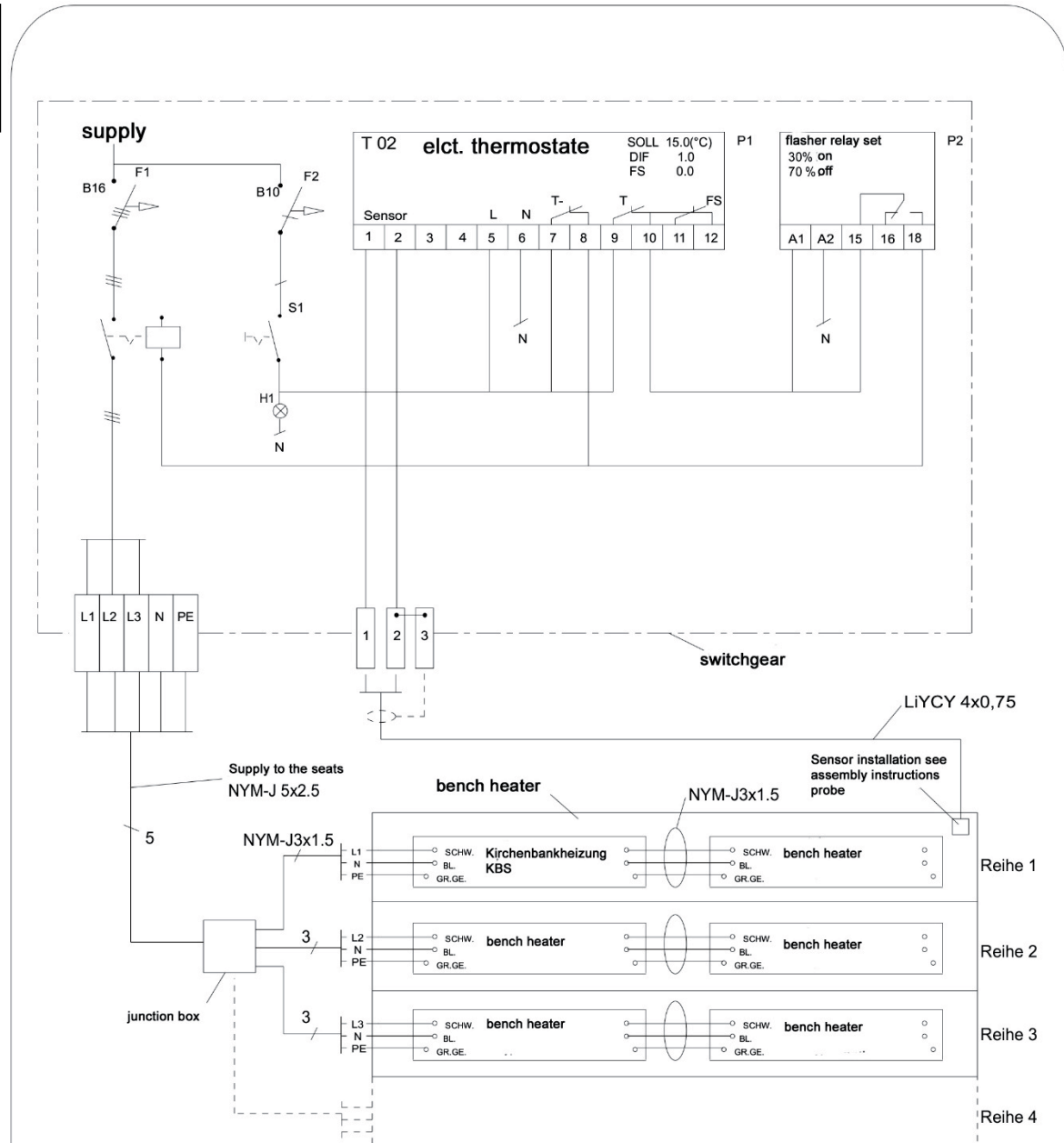
We will gladly provide circuit diagrams tailored for your project listing the electrical controls used.

Assembly Instruction for the KBS Pew Heat-Radiator

Electrical installation: Wiring diagram

Heater installation may only be performed by an expert in accordance with the wiring diagram. Pay strict attention to the latest electrical safety standards and the local electricity supply company's safety instructions!

GB



Assembly Instruction for the KBS Pew Heat-Radiator

Insulation board mounting

The insulation board can be mounted directly onto wood in most cases (if load-bearing surface). Mount the insulation board between the bottom of the sitting surface and the heater. See diagram page 4! For good appearance, mount the printed side of the insulated board facing the wood. You can mount the insulation board with nails or with staples. For both ways of mounting make sure the nails or staples are long enough (at least 20 mm). Do not drive the nails or staples through the wood to avoid creating holes. If you use nails, make sure the nailhead is big enough (at least 4 mm). Do not use less mounting points than indicated in the table. After mounting the insulated board, mount the heater in the middle.

GB

Type	Sizes [W x L x H] mm	Minimum number of fastening points	Suitable devices
UPK 6/3	600 x 250 x 3	9	KBS 6/25
UPK 8/3	800 x 250 x 3	12	KBS 8/35
UPK 10/3	1000 x 250 x 3	15	KBS 10/45
UPK 12/3	1200 x 250 x 3 (two parts)	21	KBS 12/55
UPK 14/3	1400 x 250 x 3 (two parts)	24	KBS 14/65

Data:

Type:	UPK 3
Installation:	stationary
Area of application:	in churches acc. to DIN 4701
Surface:	Mineral fibre, similar to RAL 1013 pearl white
Classification temperature:	800°C
thermal conductance:	0.13 (W/mK) at 400°C
Breakdown voltage:	10 kV (average)
Thickness:	3 mm

6. After-sales service

Your electric heating device was carefully manufactured and checked repeatedly before dispatch. If you should nevertheless encounter a problem or have questions concerning handling, feel free to contact us.

Lucht LHZ Elektroheizung GmbH & Co. KG
Obere Hauptstr. 61
09232 Hartmannsdorf, Germany
Ph. ++49 3722 63370
Fax: ++49 3722 633720
E-mail: info@technotherm.de
web: www.technotherm.de



TECHNOTHERM After-sales service:

Ph. ++49 911 93 78 32 10